



ETL us ETL LISTED, MISCELLANEOUS FIXTURES, CONFORMS TO UL STD. 1598
73355

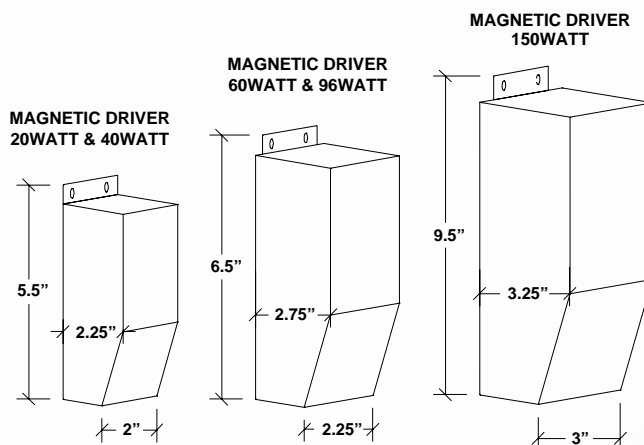


DRIVERS

LED MAGNETIC DC DRIVERS

LOW VOLTAGE STRIP

PRODUCT ID	MAX LOAD	OUTPUT VOLTAGE	LENGTH / WIDTH / DEPTH
MD20	20W	24V	5.5" / 2.25" / 2"
MD40	40W	24V	5.5" / 2.25" / 2"
MD60	60W	24V	6.5" / 2.75" / 2.25"
MD96	96W	24V	6.5" / 2.75" / 2.25"
MD150	150W	24V	9.5" / 3.25" / 3"



To figure total requirements for transformers, calculate total watts per foot divided by voltage equals total amperage. (watts / voltage = amperage). Refer to the table to calculate wire size and fusing requirements.

COMPATIBLE DIMMERS

Examples of compatible dimmers for use with Phantom Drivers

LUTRON

- | | |
|----------|-------------------|
| Adriadni | AYLV-600 Series |
| Vareo | VET Series |
| Nova | NTLV Series |
| Ceana | CNLV-600 Series |
| Diva | DVLV Series |
| Glyder | GLV-600 Series |
| Lyneo | LXLV-600PL Series |
| Nova T | NTLV Series |
| Skyllark | SLV-600 Series |

LEVITON

- | | |
|--------------|----------------|
| Illumatech | IPM Series |
| Mural | MDMO Series |
| SureSlide | 6613-PL Series |
| Toggle Touch | TGM10 Series |
| Vizia | VPM06 |

LUTRON HOMEWORKS RF MAESTRO

- HRD-6ND-XX Incandescent/MLV Neutral Wire Dimmer
- HRD-10ND

LUTRON RADIORA2

- RRD 10 ND
- RRD 6 ND

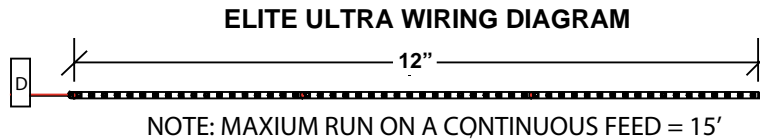
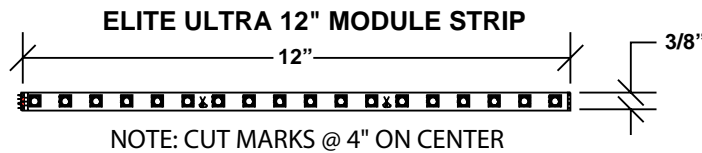
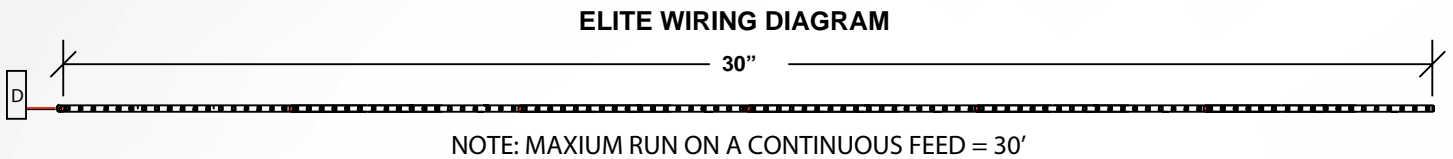
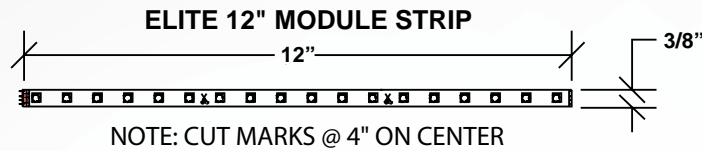


ELITE & ULTRA MAXIMUM RUN CAPABILITIES

There is a limit of how many Elite and Ultra Lighting Strips can be connected in tandem. The maximum run length for Elite is 30' and Ultra is 15' whether it is a continuous strip or jumped together. This is an important factor when determining what lengths should be ordered. Please see diagrams below for more information.

MAXIMUM RUN WIRING DIAGRAMS

NOTE: DRAWINGS NOT TO SCALE



EXAMPLE: 30 X 1.5 WATTS/FT = 45 WATTS
15 X 4.5 WATTS/FT = 67 WATTS

**STAY BELOW MAX TO PREVENT
NUISANCE TRIPPING**

TERMS AND CONDITIONS

To comply with Phantom Lighting System warranty policies and ETL Standards, all lighting strips must be used in conjunction with Phantom lighting drivers. All Phantom lighting transformers are ETL Approved for Class 1 applications and are strongly recommended for proper operation of lighting strips. Phantom drivers should not be located in areas with no ventilation or subject to high ambient temperatures. If ambient temperatures exceed 115°F (46°C) around the driver the circuit breakers may nuisance-trip due to excessive heat. CAUTION: FAILURE TO CORRECTLY SIZE PRIMARY AND SECONDARY CONDUCTORS AND OR OVERLOAD PROTECTION MAY RESULT IN BODILY INJURY OR SERIOUS PROPERTY DAMAGE.

If you have any questions or concerns regarding your application, please contact the factory, a licensed electrician or consult the National Electric Code.