



LED LIGHTING STRIPS



TL SERIES

TASK LIGHTING

LOW VOLTAGE STRIP

PHANTOM LIGHTING

The Phantom Elite TL series strip lights for task lighting represent a new era in both utility and aesthetic excellence. With light output of 67 lumens per foot, these LED lighting strips are among the most powerful low profile LED task lights on the market. The latest advances in LED technology also allow for minimal heat output, which allows users to leave them on for extended periods of time without risk of overheating work areas. TL series strip lights are also dimmable, operating on 24VDC magnetic power supplies. Various trim options allow for precise aiming angles for work areas in kitchens, utility rooms, and commercial workstations. Color temperature options range from the warm 2700K often used in kitchen task lighting, the halogen equivalent 3000K, often preferred for exceptional color rendition, and the crisp white 4000K for specialty task lighting in custom, contemporary work areas. Phantom Elite TL series strip lights use only the highest quality LED's that are configured and tested to produce consistent color binning through the entire linear lighting array.

THE PHANTOM ELITE TL SERIES FEATURES

- Designed for lighting display cabinets with fixed wood shelves
- 67 lumens per foot
- 2700K, 3000K and 4000K Color Temperatures
- Mounting Trims and Extrusions for Optimum Aiming Angle
- Wood Veneer Extrusion for mounting under shelves with no edge trim

NOTE: See also Elite Ultra for high intensity applications.



ETL LISTED, MISCELLANEOUS FIXTURES, CONFORMS TO UL STD. 1598

73355



greenlighting
TECHNOLOGY

ORDERING INFORMATION

QTY.	SERIES	VERSION	COLOR TEMP	LENGTH	PROFILE	DRIVER	CONNECTOR	FINISH
	TL	ELITE	2700K 3000K 4000K	(INCHES)	E1 E2 E3 3	MD20 20 WATT MD40 40 WATT MD60 60 WATT MD96 96 WATT MD150 150 WATT	LE END FEED (LEFT) RE END FEED (RIGHT) (WHEN FACING APPLICATION)	PAINTED METAL FW FLAT WHITE GW GLOSS WHITE FB FLAT BLACK GB GLOSS BLACK LB LIGHT BEIGE MB MEDIUM BROWN AL ALMOND UF UNFINISHED CC CUSTOM COLOR WOOD VENEER* O OAK M MAHOGANY P PINE W WALNUT
4	TL	ELITE	2700K	33"	E1	MD20	RE	MB

*NOTE: FOR TRIM E3 ONLY

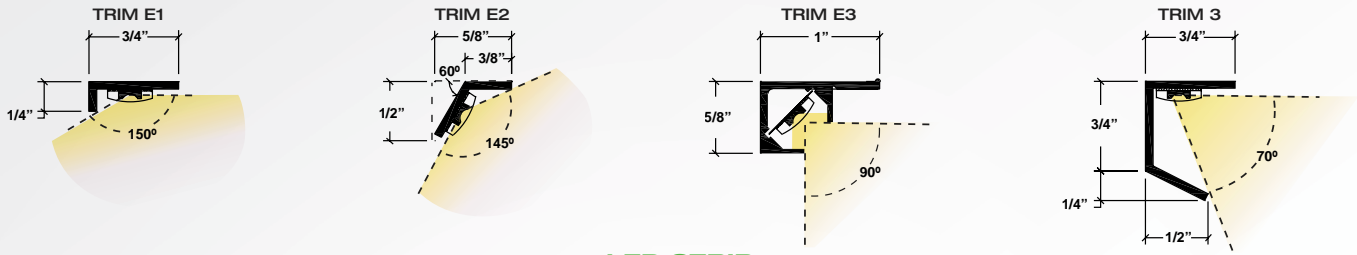
EASY-TO-USE, DOWNLOADABLE ORDER FORMS WITH ACTIVE FORM FIELDS AT PHANTOMLIGHTING.COM



607 Durham Drive | Houston, Texas 77007-5316
 Tel: 713.863.1133 | Fax: 713.863.0044 | 800.863.1184
www.phantomlighting.com

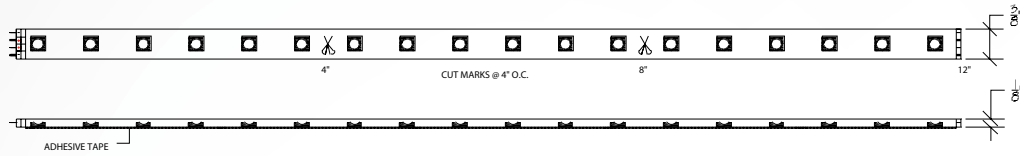
© Copyright 2013 Phantom Lighting Systems

TL ELITE SERIES TRIM PROFILES

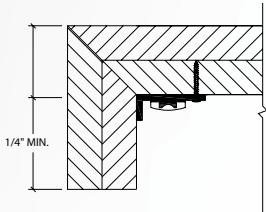


LED STRIP

The Phantom LED Strip Light is a low profile integral tape with diode spacing 0.67 inches on centers, operating at 24VDC and 1.5 watts per foot. Available Color temperatures are 2700K (warm like household lighting), 3000K (Slightly cooler like Halogen), and 4000K (cool white). The 2700K tone coordinates well with most residential lighting, while the 3000K tone makes colors appear more vivid for display purposes. The crisp whiter tone of 4000K is often preferred for commercial displays of diamonds and crystal. Life expectancy of the diodes is rated at 50,000 hours. Unlike ordinary light bulbs, these strip lights are virtually heat-free. Dimming is accomplished with an ordinary Low Voltage dimmer, rather than specialized dimming driver.

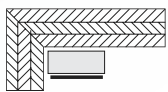


EXPLODED VIEW



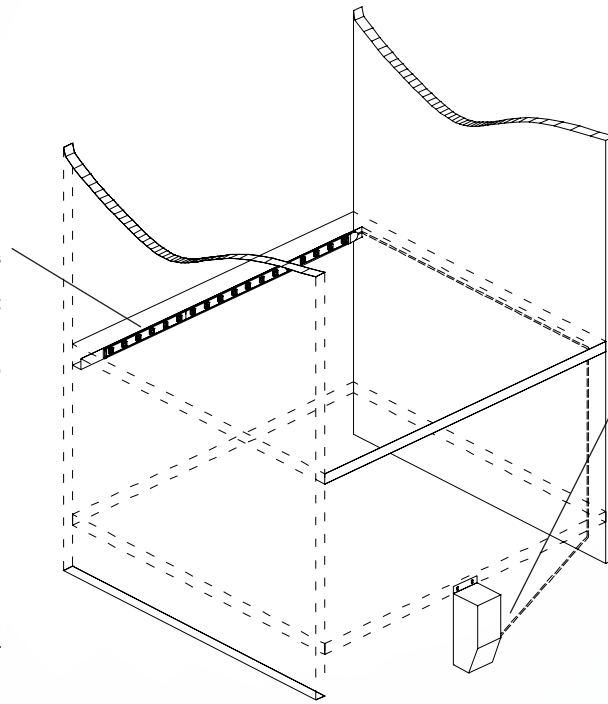
Lighting Strip Location

For best results, always mount the lights behind the front lip of the upper cabinet and use a matte finish on the back of the cabinet or wall to minimize glare and reflections. Note: Stone finishes such as granite, marble and ceramic tile are notorious for reflecting lamp images from normal viewing angles.



Lighting Strip Tip

It may be necessary to field adjust lighting strips up or down to accommodate larger wood reveals and fine tune lighting coverage.



Wire Sleeve Tip

We recommend that you fabricate a small removable wood cover for the purpose of hiding the wires between the fixture and where the wire exits the wall. Most applications require an end feed connection.

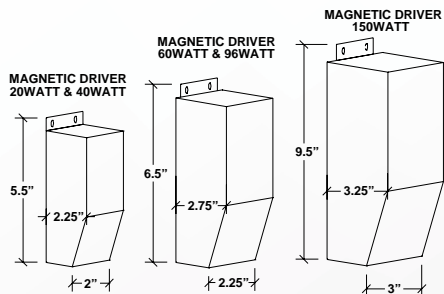
Driver (Remote Mount)

Magnetic transformers are sized to match the total wattage of your lighting load and come equipped with one or more secondary circuit breakers. (See transformer sheet for more sizing information and amperage calculations)

Dimmer Controls (by others)

Magnetic low voltage drivers should always be used with a dimmer designated for magnetic or inductive loads.

DRIVERS



To figure total requirements for drivers, calculate total watts per foot divided by voltage equals total amperage. (watts / voltage = amperage). Refer to the table to calculate wire size and fusing requirements or see driver page for more specific details.

SPECIFICATIONS	20 VA	40 VA	60 VA	96 VA	150 VA
MAXIMUM WATTAGE	16	32	48	76	150
HEIGHT (H)	5.5"	5.5"	6.5"	6.5"	9.5"
WIDTH (W)	2.25"	2.25"	2.75"	2.75"	3.25"
DEPTH (D)	2"	2"	2.25"	2.25"	3"
24 VOLT (CB)	(1) 1A	(1) 2A	(1) 2.5A	(1) 4A	(1) 6.25A
WEIGHT (LBS)	1.8	1.8	2	2	5
PART #'s	MD20	MD40	MD60	MD96	MD150