

Magnetic Drivers

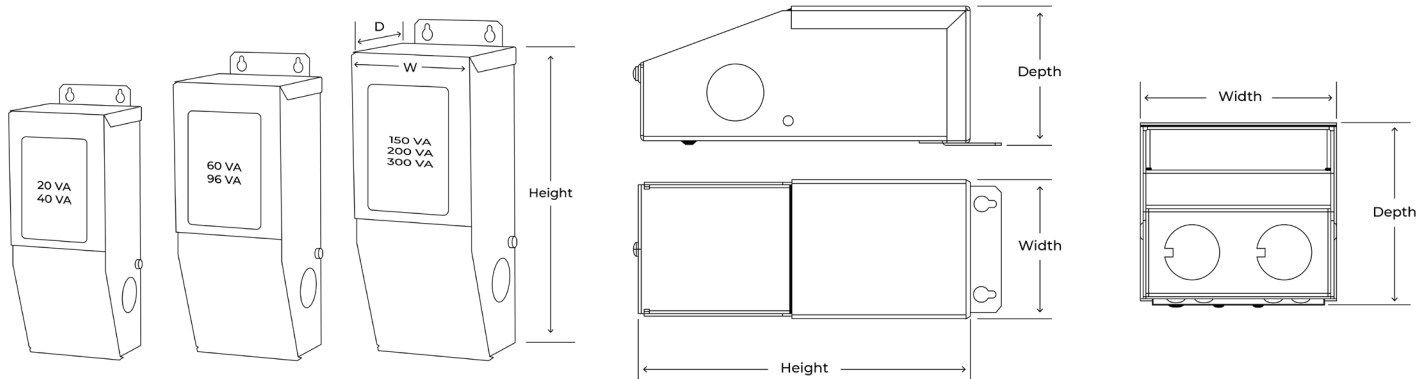
DRIVER SPECIFICATIONS

	20 VA	40 VA	60 VA	96 VA	150 VA	200 VA	300 VA
120VAC/24VDC	MD20-24	MD40-24	MD60-24	MD96-24	MD150-24	MD200-24	MD300-24
277VAC/24VDC	MD20-24-277	MD40-24-277	MD60-24-277	MD96-24-277	MD150-24-277	MD200-24-277	MD300-24-277
Maximum Load*	16	32	48	77	120	160	240
Minimum Load	10	16	24	38	60	80	120
Circuit Breaker	Auto	Auto	Auto	Auto	Auto	Manual	Manual
Height (H)	5.50"	5.50"	6.50"	6.50"	9.50"	9.80"	9.80"
Width (W)	2.25"	2.25"	2.75"	2.75"	3.25"	3.25"	4.25"
Depth (D)	2.00"	2.00"	2.25"	2.25"	4.00"	3.00"	3.50"
Weight (lbs)	1.80	1.80	2.00	2.00	5.00	5.50	8.75

*These numbers reflect the 20% safety factor that is recommended to avoid overload or nuisance tripping when selecting a transformer. (Wattage x 1.20)

To calculate amperage, divide total wattage by secondary voltage (Wattage/Voltage = Amperage)
To calculate wattage, divide amperage by secondary voltage (Amperage/Voltage = Wattage)

Driver Dimensions



Terms and Conditions

To comply with Phantom Lighting System warranty policies and ETL Standards, all lighting strips must be used in conjunction with Phantom Lighting drivers. All Phantom lighting drivers are ETL Approved for Class 1 applications and are strongly recommended for proper operation of lighting strips. Phantom drivers should not be located in areas with no ventilation or subject to high ambient temperatures. If ambient temperatures exceed 115°F (46°C) around the driver, the circuit breakers may nuisance trip due to excessive heat.

CAUTION: FAILURE TO CORRECTLY SIZE PRIMARY AND SECONDARY CONDUCTORS AND/OR OVERLOAD PROTECTION MAY RESULT IN BODILY INJURY OR SERIOUS PROPERTY DAMAGE.

Likewise, Phantom lighting strips should be installed in such a way as to properly dissipate heat. We recommend that you allow a minimum overall 3" set back from the wall or ceiling plane being illuminated. Not only does this clearance allow the heat to escape, but it allows room for installation, servicing, and changing lamps. If you are using exotic wood, veneers, or heat-sensitive fabrics, we suggest increasing this clearance from a 3" to a 5" set back.

If you have any questions or concerns regarding your application, please contact the Phantom Lighting factory, a licensed electrician in your area, or consult the National Electric Code.