

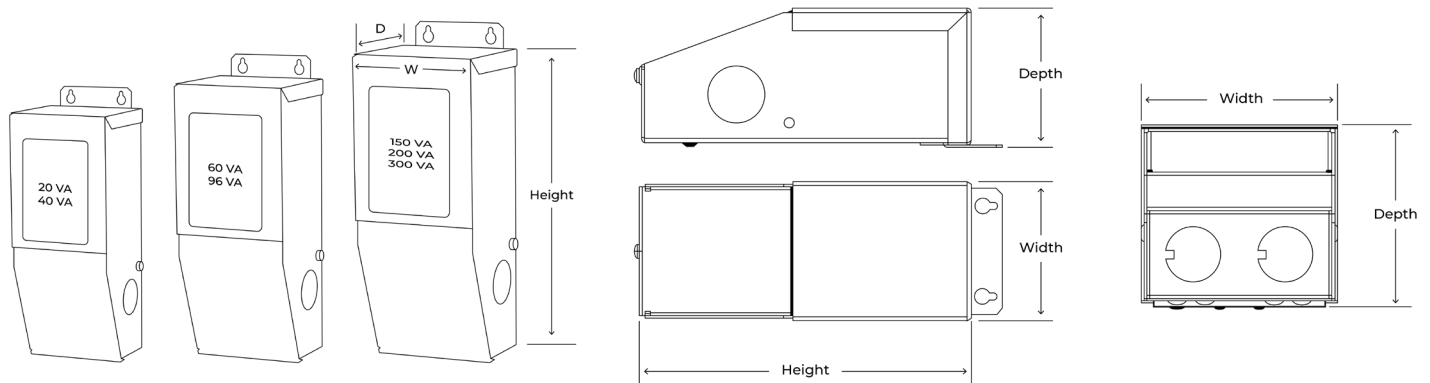
Magnetic Drivers

MAGNETIC DRIVER SPECIFICATIONS

	20 VA	40 VA	60 VA	96 VA	150 VA	192 VA	200 VA	288VA	300 VA
120VAC/24VDC¹	MD20-24	MD40-24	MD60-24	MD96-24	MD150-24	MD192-24	MD200-24	MD288-24	MD300-24
Class	Class 2	Class 2	Class 2	Class 2	Class 1	Class 2 (2 ch)	Class 1	Class 2 (3 ch)	Class 1
Maximum Load*	20	40	60	96	150	192	200	288	300
Minimum Load	10	16	24	38	60	80	80	38	120
Circuit Breaker	Auto	Auto	Auto	Auto	Manual	Manual	Manual	Manual	Manual
Dimming	Yes - MLV	Yes - MLV	Yes - MLV	Yes - MLV	Yes - MLV	Yes - MLV	Yes - MLV	Yes - MLV	Yes - MLV
Height (H)	5.50"	5.50"	6.50"	6.50"	9.50"	9.50"	9.80"	9.50"	9.80"
Width (W)	2.25"	2.25"	2.75"	2.75"	3.25"	3.25"	3.25"	3.25"	4.25"
Depth (D)	2.00"	2.00"	2.25"	2.25"	4.00"	3.00"	3.00"	3.00"	3.50"
Weight (lbs)	1.80	1.80	2.00	2.00	5.00	5.00	5.50	5.50	8.75

*DOES NOT reflect the 20% safety factor that is recommended to avoid overload or nuisance tripping when selecting a transformer. (Wattage x 1.20)
 To calculate amperage, divide total wattage by secondary voltage (Wattage/Voltage = Amperage).
 To calculate wattage, divide amperage by secondary voltage (Amperage/Voltage = Wattage)
¹ Available in 277VAC input, please contact factory for details

Driver Dimensions



Terms and Conditions

To comply with Phantom Lighting System warranty policies and ETL Standards, all lighting strips must be used in conjunction with Phantom Lighting drivers. All Phantom lighting drivers are ETL Approved for Class 1 applications and are strongly recommended for proper operation of lighting strips. Phantom drivers should not be located in areas with no ventilation or subject to high ambient temperatures. If ambient temperatures exceed 115°F (46°C) around the driver, the circuit breakers may nuisance trip due to excessive heat.

CAUTION: FAILURE TO CORRECTLY SIZE PRIMARY AND SECONDARY CONDUCTORS AND/OR OVERLOAD PROTECTION MAY RESULT IN BODILY INJURY OR SERIOUS PROPERTY DAMAGE.

Likewise, Phantom lighting strips should be installed in such a way as to properly dissipate heat. We recommend that you allow a minimum overall 3" set back from the wall or ceiling plane being illuminated. Not only does this clearance allow the heat to escape, but it allows room for installation, servicing, and changing lamps. If you are using exotic wood, veneers, or heat-sensitive fabrics, we suggest increasing this clearance from a 3" to a 5" set back.

If you have any questions or concerns regarding your application, please contact the Phantom Lighting factory, a licensed electrician in your area, or consult the National Electric Code.



ELITE LEVEL

REFERENCE DOCUMENTS



ULTRA LEVEL

Electronic Drivers

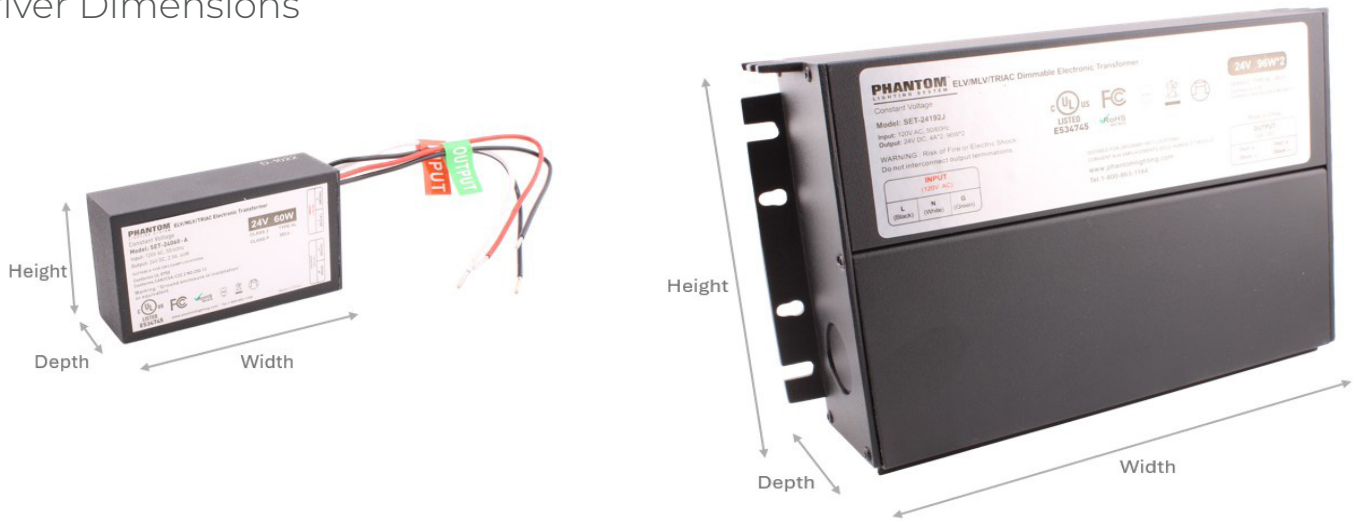
ELECTRONIC DRIVER SPECIFICATIONS

	60 VA	96 VA	96 VA	192 VA	288 VA
120VAC/24VDC¹ Class	EDQ-LED24-MINI60	EDQ-LED24-MINI96	EDJ-LED24-96J	EDJ-LED24-192J	EDJ-LED24-288J
Maximum Load*	Class 2	Class 2	Class 2	Class 2	Class 1
Minimum Load	60	96	96	2x 96W (2 Channel)	3x 96W (3 Channel)
Over Current	15	40	24	30 per Channel	30 per Channel
Dimming	Protected	Protected	Protected	Protected	Protected
Height (H)	Yes - ELV/MLV/Triac	Yes - ELV/MLV/Triac	Yes - ELV/MLV/Triac	Yes - ELV/MLV/Triac	Yes - ELV/MLV/Triac
Width (W)	2.9"	2.9"	4.75"	4.75"	4.75"
Depth (D)	1.6"	1.6"	5.0"	7.4"	10.15"
Weight (lbs)	0.9"	0.9"	1.65"	1.65"	1.65"
	0.31	0.35	1.25	1.75	2.5

*DOES NOT reflect the 20% safety factor that is recommended to avoid overload or nuisance tripping when selecting a transformer. (Wattage x 1.20)
 1 Available in 277VAC input, please contact factory for details

To calculate amperage, divide total wattage by secondary voltage (Wattage/Voltage = Amperage).
 To calculate wattage, divide amperage by secondary voltage (Amperage/Voltage = Wattage)

Driver Dimensions



Terms and Conditions

To comply with Phantom Lighting System warranty policies and ETL Standards, all lighting strips must be used in conjunction with Phantom Lighting drivers. All Phantom lighting drivers are ETL Approved for Class 1 applications and are strongly recommended for proper operation of lighting strips. Phantom drivers should not be located in areas with no ventilation or subject to high ambient temperatures. If ambient temperatures exceed 115°F (46°C) around the driver, the circuit breakers may nuisance trip due to excessive heat.

CAUTION: FAILURE TO CORRECTLY SIZE PRIMARY AND SECONDARY CONDUCTORS AND/OR OVERLOAD PROTECTION MAY RESULT IN BODILY INJURY OR SERIOUS PROPERTY DAMAGE.

Likewise, Phantom lighting strips should be installed in such a way as to properly dissipate heat. We recommend that you allow a minimum overall 3" set back from the wall or ceiling plane being illuminated. Not only does this clearance allow the heat to escape, but it allows room for installation, servicing, and changing lamps. If you are using exotic wood, veneers, or heat-sensitive fabrics, we suggest increasing this clearance from a 3" to a 5" set back.

If you have any questions or concerns regarding your application, please contact the Phantom Lighting factory, a licensed electrician in your area, or consult the National Electric Code.