



# Horizontal Mount Shelf Lighting

**Phantom™ Ultra HM Series** LED light strips are designed for any linear cove lighting application and represent a breakthrough in strip lighting technology. These low profile indirect lights are easily concealed regardless of the shelf design, giving new definition to the phrase, "See the Light, Not the Fixture."

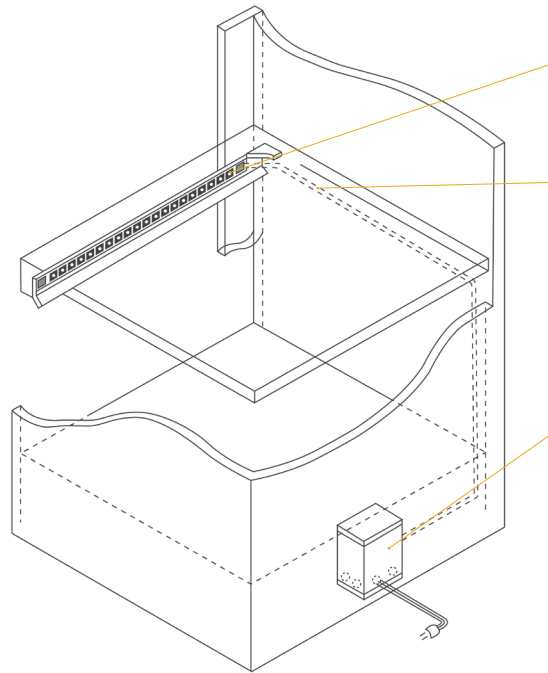
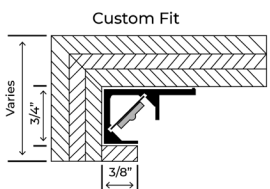
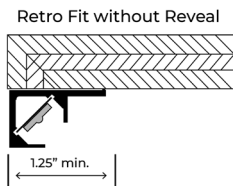
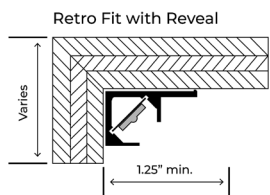
Custom mounting trims establish the optimum aiming angle which allows the contents of any cabinet to be illuminated to a precise degree at the highest level of aesthetics yet to be seen. Strips are precut to any desired length to be custom fitted for both fixed and movable shelves. Strips are dimmable using a magnetic low voltage dimmer and produce a quality of consistent color and lumen output unmatched by competing products.

## PHANTOM ULTRA HM SERIES FEATURES

- Low profile, concealed linear LED lighting source designed for any fixed or adjustable shelf lighting applications
- Excellent assortment of power connectors, jumpers, and accessories for ease of installation
- Dimmable high-performance compact magnetic low-voltage 24VDC drivers (available in both 120V and 277V)



## Ultra HM Series Exploded View



### LED LIGHTING STRIP

Each LED lighting strip is concealed by either a trim or a lensed enclosure. For best results, use a matte finish on the back of the cabinet to minimize reflections and/or glare.

### CONCEALED WIRING

For fixed shelving, furniture or retrofit applications, it may be necessary to conceal wiring from individual fixtures back to the transformer. We are happy to manufacture your lighting strips with long leads to accommodate any application. Consult factory for other fixed wiring methods.

### DRIVER

Magnetic drivers are sized to match the total wattage of your lighting load and come equipped with one or more secondary circuit breakers. (See driver sheet for more sizing information and amperage calculations).

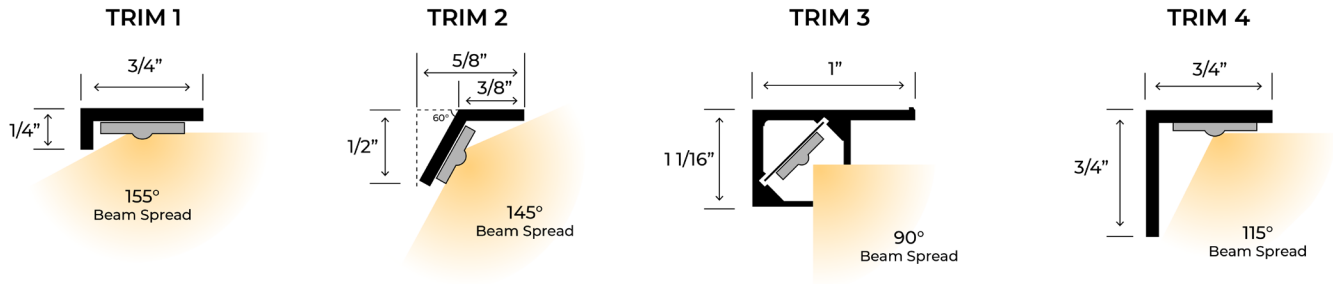
### DIMMER CONTROLS (BY OTHERS)

Magnetic low voltage transformers should always be used with a dimmer designated for magnetic or inductive loads. Electronic transformers should always be used with a dimmer designated for electronic loads.

# SHIELDED

## Trim Profiles

Shielded options are best for shaping the light in precise patterns and for minimizing hot spots on surrounding surfaces and spill light that may stray outside the display.

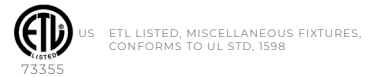


Our most popular shielded trims for horizontal mounting method are trims 2 and 3. Both shielded trims are great for applications that have a shelf reveal as they provide the best light distribution and glare control. Trim 3 is perfect for shelves that have no reveal and can be installed and painted to match the cabinet color. For lensed trims, we recommend trim 9 for the ultimate in light distribution to conceal the LED diodes and provide total diffusion preventing reflected glare from displayed objects, reflective or gloss finishes. See page 3 for lensed trim options.

### ULTRA TAPE SPECIFICATIONS FOR SHIELDED TRIM PROFILES

24VDC LED Tape	Wattage	Kelvin Color	Lumens per Foot	Efficacy (LM/W)	CRI	Diodes per Foot	Cut Mark	Max Run Length
	4.2 Standard	<span style="display: inline-block; width: 15px; height: 10px; background-color: #f4a460; margin-right: 5px;"></span> 1800K <span style="display: inline-block; width: 15px; height: 10px; background-color: #f4a460; margin-right: 5px; margin-left: 10px;"></span> 2100K <span style="display: inline-block; width: 15px; height: 10px; background-color: #f4a460; margin-right: 5px; margin-left: 10px;"></span> 2700K <span style="display: inline-block; width: 15px; height: 10px; background-color: #f4a460; margin-right: 5px; margin-left: 10px;"></span> 3000K <span style="display: inline-block; width: 15px; height: 10px; background-color: #f4a460; margin-right: 5px; margin-left: 10px;"></span> 3500K <span style="display: inline-block; width: 15px; height: 10px; background-color: #a4c6e0; margin-right: 5px; margin-left: 10px;"></span> 4000K	349	83	94+	24	4.00 inches	23 feet

Phantom Ultra Lighting Strips - Ordering Matrix  
Sample Order Number: **HM-US-1-18-4.2-DL-12-FW-XX**



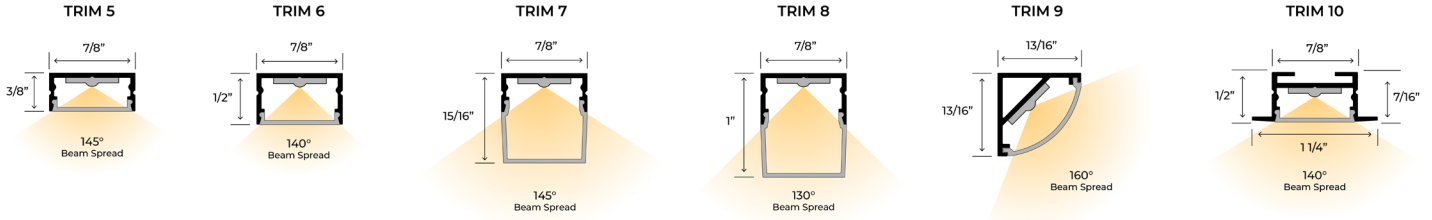
MODEL	SERIES TYPE	TRIM PROFILE	KELVIN COLOR	WATTS/FT	LEAD WIRES*	LEAD LENGTH	TRIM PAINT COLOR	TRIM LENGTH
<b>HM</b>	<b>US</b>	<b>1</b>	<b>18</b>	<b>4.2</b>	<b>DL</b>	<b>12</b>	<b>FW</b>	<b>XX</b>
HM	US - Ultra Shielded	1 2 3 4	18 - 1800K 21 - 2100K 27 - 2700K 30 - 3000K 35 - 3500K 40 - 4000K	4.2- 4.2W	DL - Double Leads LR - Leads Right LL - Leads Left	12" 24" 36" 48" 120" 300"	FW - Flat White GW - Gloss White FB - Flat Black GB - Gloss Black LB - Light Beige MB - Medium Brown LA - Light Almond UF - Unfinished CC - Custom Color**	Inches  Specify Your Trim Length In Inches

\*When facing application  
\*\*Contact factory for details

# LENSED

## Trim Profiles

Lensed options are the best for applications where the light fixture may be visible, by hiding the individual LED diodes and preventing object or surface reflections by homogenizing the light pattern.



### ULTRA TAPE SPECIFICATIONS FOR LENSED TRIM PROFILES

24VDC LED Tape	Wattage	Kelvin Color	Lumens per Foot	Efficacy (LM/W)	CRI	Diodes per Foot	Cut Mark	Max Run Length
	5.0 High Density	1800K	362	72	94+	64	1.50 inches	20 feet
		2100K	491	98				
		2700K	514	102				
		3000K	565	113				
		3500K	595	119				
		4000K	610	122				
	7.5 High Density	1800K	604	80	94+	72	1.375 inches	13 feet
		2100K	670	89				
		2700K	698	93				
		3000K	774	103				
		3500K	872	116				
		4000K	862	110				

Phantom Ultra Lighting Strips - Ordering Matrix  
Sample Order Number: **HM-UL-5-18-5.0-DL-12-SA-XX**



US ETL LISTED, MISCELLANEOUS FIXTURES, CONFORMS TO UL STD, 1598

MODEL	SERIES TYPE	TRIM PROFILE	KELVIN COLOR	WATTS/FT	LEAD WIRES*	LEAD LENGTH	TRIM PAINT COLOR	TRIM LENGTH
HM	UL	5	18	5.0	DL	12	SA	XX
HM	UL - Ultra Lensed	5 6 7 8 9	18 - 1800K 21 - 2100K 27 - 2700K 30 - 3000K 35 - 3500K 40 - 4000K	5.0 - 5.0W 7.5 - 7.5W	DL - Double Leads LR - Leads Right LL - Leads Left	12" 24" 36" 48" 120" 300"	SA - Satin Aluminum CC - Custom Color**	Inches  Specify Your Trim Length In Inches

\*When facing application  
\*\*Contact factory for details

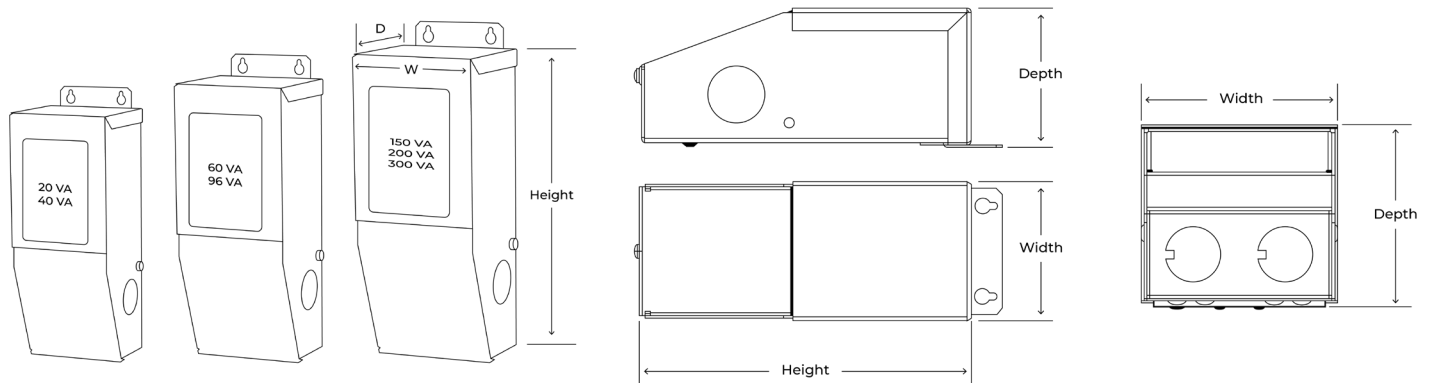


DRIVER SPECIFICATIONS							
	20 VA	40 VA	60 VA	96 VA	150 VA	200 VA	300 VA
120VAC/24VDC	MD20-24	MD40-24	MD60-24	MD96-24	MD150-24	MD200-24	MD300-24
277VAC/24VDC	MD20-24-277	MD40-24-277	MD60-24-277	MD96-24-277	MD150-24-277	MD200-24-277	MD300-24-277
Maximum Load*	16	32	48	77	120	160	240
Minimum Load	10	16	24	38	60	80	120
Circuit Breaker	Auto	Auto	Auto	Auto	Auto	Manual	Manual
Height (H)	5.50"	5.50"	6.50"	6.50"	9.50"	9.80"	9.80"
Width (W)	2.25"	2.25"	2.75"	2.75"	3.25"	3.25"	4.25"
Depth (D)	2.00"	2.00"	2.25"	2.25"	4.00"	3.00"	3.50"
Weight (lbs)	1.80	1.80	2.00	2.00	5.00	5.50	8.75

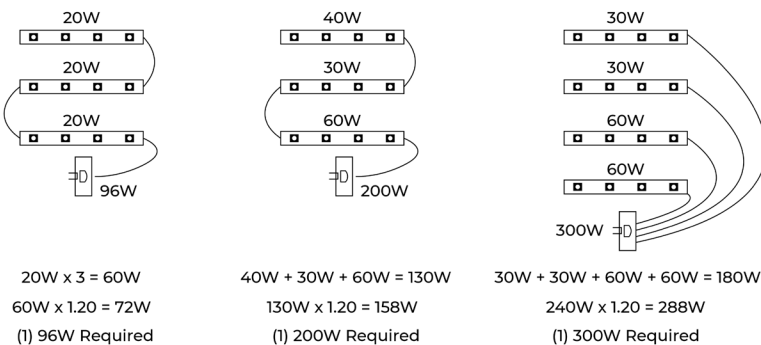
\*These numbers reflect the 20% safety factor that is recommended to avoid overload or nuisance tripping when selecting a transformer. (Wattage x 1.20)

To calculate amperage, divide total wattage by secondary voltage (Wattage/Voltage = Amperage).  
To calculate wattage, divide amperage by secondary voltage (Amperage/Voltage = Wattage)

### Driver Dimensions



### Ultra HM Series Load Examples



### TERMS AND CONDITIONS

To comply with Phantom™ Lighting System warranty policies and ETL standards, all lighting strips must be used in conjunction with Phantom™ Lighting drivers. All Phantom lighting transformers are ETL Approved for Class 2 applications and are strongly recommended for proper orientation of lighting strips. Phantom™ drivers should **not** be located in areas without ventilation or be subjected to high ambient temperatures. If ambient temperatures exceed 115°F (46°C) around the driver, the circuit breakers may nuisance-trip due to excessive heat and void any warranty.

**CAUTION:** Failure to correctly size primary and secondary conductors and/or overload protection may result in bodily injury or serious property damage.

If you have any questions or concerns regarding your application, please contact the factory at (713) 863-1184 or consult a licensed electrician or the National Electric Code.