



ART LIGHTING

CONTOUR
PROJECTORS



LED

Remodeler LED Projector

Phantom™ Remodeler Contour Projector is an optical framing projector with remodeler IC-Rated housing, designed for fine art illumination in existing structures.

When it comes to professional lighting art, nothing is more impressive or visually effective than an optical framing projector. A hidden light source with a controlled beam of light precisely illuminates the canvas. Phantom Contour Projectors are designed by a professional installer and have been engineered so that anyone can complete the install. The options we offer make this LED projector one of the most versatile and best art lighting fixtures on the market today.



ETL LISTED

Conforms to UL STD 1598 Requirements
Certified to CSA STD C22.2 NO.250.0



ABOVE

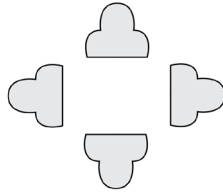
The paintings pictured above are part of a major corporate Western art collection and are each illuminated with their own Phantom™ Remodeler LED projectors. These lights were added after the client moved into the space, without damaging the ceiling and without the need to patch and paint.

LEFT

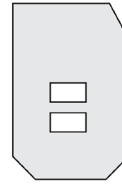
Two Phantom™ Remodeler LED projectors were used to illuminate this painting. This particular client rotates his art collection, so both projectors were installed to accommodate much larger works of art and adjusted to properly light the piece currently on display.

Masking Method

There are three masking methods available for the LED Contour Projector: standard aluminum shutters for square or rectangular artworks, custom-cut brass templates for multiple or irregularly shaped artworks, and stainless steel gobos (Rosco® Type M) for patterned lighting effects.



ALUMINUM SHUTTERS



BRASS TEMPLATE



STAINLESS STEEL GOBO

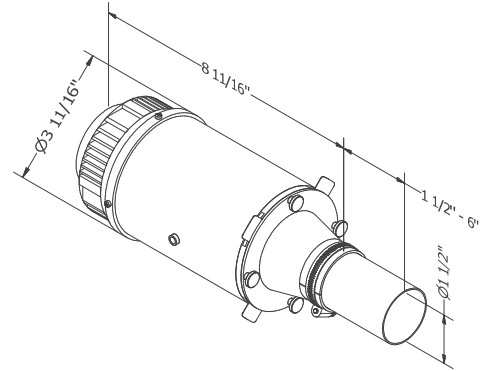
Projector Details

High performance optical framing projector with variable optics system consisting of two (2) 39mm focal lenses and two (2) 60mm condensing lenses designed for both long and short throws as well as off center mounting. The special Achromatic focal lenses produce crisp sharp lines without any chromatic abnormalities.

LIGHT SOURCE

PHANTOM™ Gen4 Proprietary LED light engine with a custom concentric parabolic reflector, aluminum heat sink, active DC cooling fan and the CREE® XLamp Extreme High Power XHP 3000K LED with 90+ CRI and average lamp life of 30,000 hours.

Total Load is 30W.

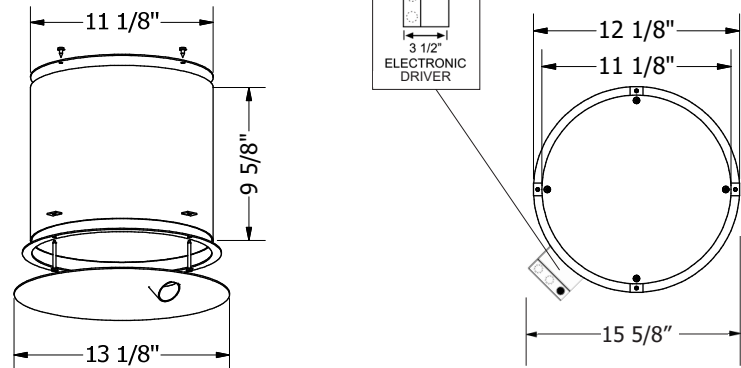


RML Housing Dimensions

Low profile IC-Rated round housing is engineered for applications that require installation into an existing ceiling without damage to the ceiling. Custom mounting clips allow for ceiling thickness up to 2" and work well with drywall, wood or plaster. The removable cover plate with oval slot and custom glare shield provides easy access from below and maximum concealment of the light source.

ELECTRICAL SPECS

Includes auto-sensing 120-277V, 50/60Hz, 1750mA constant current electronic LED driver, Tri-Dimming (MLV forward phase, ELV reverse phase, 0-10V) and a non-dimming 12VDC fan power supply. Optional on-board 0-10V dimmer control available for setting output levels.



Phantom LED Contour Projectors - Ordering Matrix
Sample Order Number: **RML-1-1-0-1-W**

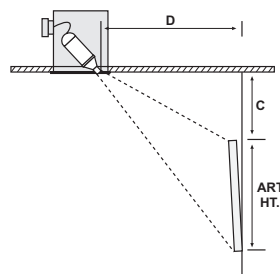
HOUSING	MASKING	LENS COMBINATION	ACCESSORY OPTIONS	COVER PLATE	COLOR
RML	1	1	0	1	W
RML	1 - Shutters 2 - Template 3 - Gobo	1 - Achromatic 75fl Lenses <i>(Wide Flood Lenses)</i> 2 - Achromatic 100fl Lenses <i>(Flood Light Lenses)</i> 3 - Achromatic 150fl Lenses <i>(Narrow Spot Lenses)</i>	0 - None 1 - 2700K Dichroic Filter 2 - 3500K Dichroic Filter 3 - 4000K Dichroic Filter 4 - On-board 0-10V Dimmer	1 - Slotted 2 - Center Pin Hole	W - White B - Black
<p>Standard Configuration includes recessed remodel housing, a white slotted cover plate, white glare shield, 120-277V auto-sensing LED/Fan drivers, optical framing projector with 39mm 75fl focal lenses and adjustable shutter masking set.</p>					

Determining the Location of Projector in Ceiling

Example: Let's say you have a painting that is 36" High x 24" Wide and it is down from the ceiling roughly 20" to top of canvas. Doing the math, you get $20" + 12" + 4" = 36"$ out from the wall to the front of the housing as a starting point. The projector can be moved back, left or right as needed to avoid obstructions in the ceiling or to address reflective glare and frame shadows.

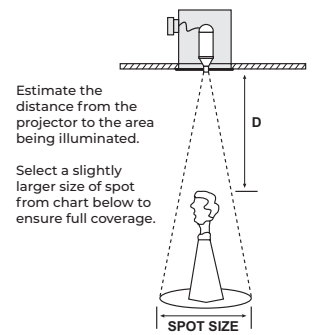
An oversized painting can be accommodated in the same way by using two (2) Contour Projectors, mounted at oblique angles. Complimentary design assistance is available from the factory.

VERTICAL TARGET



SLOTTED COVER PLATE (STANDARD)

HORIZONTAL TARGET

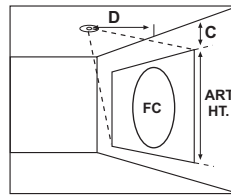


PIN HOLE COVER PLATE (OPTIONAL)

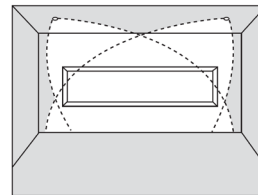
CALCULATING THROW DISTANCE:

$$C + 1/3 \text{ of art height} + 4 = D$$

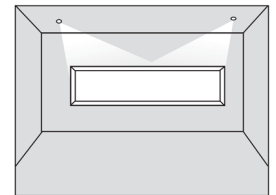
C = Distance down from ceiling to top of the art
 D = Distance out from wall where projector mounts
 (See first illustration to the right)



Formula Illustration



Overlapping Beam Diagram



Oversize Beam Spread Result

Achromatic Focal Lens Performance Chart

DATA FOR THE PHANTOM GENERATION 4 LIGHT ENGINE

THROW DISTANCE (IN FEET)			1'		2'		3'		4'		5'	
Beam Spread	Lens Combo	Beam Angle	Spot Size	Foot Candles	Spot Size	Foot Candles	Spot Size	Foot Candles	Spot Size	Foot Candles	Spot Size	Foot Candles
Wide Flood Lens	75/75	60°	14"	1010	28"	585	42"	194	55"	94	69"	57
Flood Light	100/100	48°	11"	1185	21"	1011	32"	375	43"	183	53"	107
Narrow Spot	150/150	28°	6"	3285	12"	2035	18"	911	24"	431	30"	246
THROW DISTANCE (IN FEET)			6'		7'		8'		9'		10'	
Beam Spread	Lens Combo	Beam Angle	Spot Size	Foot Candles	Spot Size	Foot Candles	Spot Size	Foot Candles	Spot Size	Foot Candles	Spot Size	Foot Candles
Wide Flood Lens	75/75	60°	83"	41	97"	29	111"	23	125"	16	139"	12
Flood Light	100/100	48°	64"	71	75"	54	85"	41	96"	31	107"	26
Narrow Spot	150/150	28°	36"	166	42"	127	48"	88	54"	67	60"	55
THROW DISTANCE (IN FEET)			11'		12'		13'		14'		15'	
Beam Spread	Lens Combo	Beam Angle	Spot Size	Foot Candles	Spot Size	Foot Candles	Spot Size	Foot Candles	Spot Size	Foot Candles	Spot Size	Foot Candles
Wide Flood Lens	75/75	60°	-	-	-	-	-	-	-	-	-	-
Flood Light	100/100	48°	118"	21	128"	17	139"	14	150"	11	160"	9
Narrow Spot	150/150	28°	66"	44	72"	39	78"	33	84"	29	90"	23
THROW DISTANCE (IN FEET)			16'		17'		18'		19'		20'	
Beam Spread	Lens Combo	Beam Angle	Spot Size	Foot Candles	Spot Size	Foot Candles	Spot Size	Foot Candles	Spot Size	Foot Candles	Spot Size	Foot Candles
Wide Flood Lens	75/75	60°	-	-	-	-	-	-	-	-	-	-
Flood Light	100/100	48°	-	-	-	-	-	-	-	-	-	-
Narrow Spot	150/150	28°	98"	21	102"	19	108"	17	114"	15	120"	13